



## Axiom Blind Boxes

Extruded aluminium profiles for detailing perimeter blind boxes or concealed lighting features.

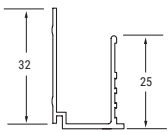
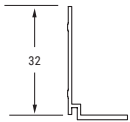
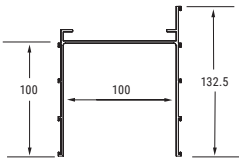
## Key Features

- // Pre-engineered profiles using Axiom universal accessories for a secure and easy installation
- // Provide a sharp finish to integrate with suspended ceiling tiles or plasterboard ceilings
- // Factory finished, no on-site decoration required – save time on plastering, sanding and painting
- // All ceilings – perimeters / lighting features

## Physical Data

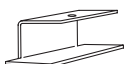
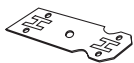
- // Material: aluminium
- // Surface finish: polyester powder paint
- // Colour: Global White

## Product Range



Item No.	Description	Dimensions (mm)		Standard Colours
		Length	Height	Global White
T 3250	Axiom Blind Box 100mm	3000	132.5	•
T 3251	Axiom Blind Box Perimeter angle	3000	32	•
T 3252	Axiom Blind Box Transition upstand 13mm Board	3000	32	•

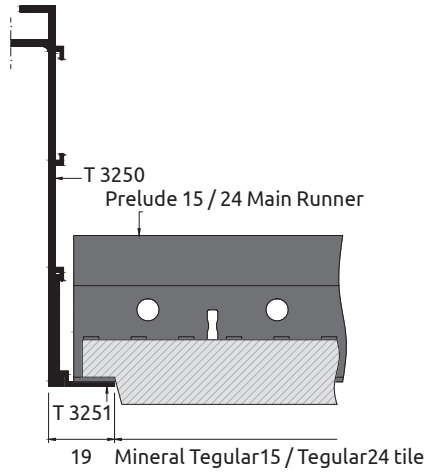
## Accessories



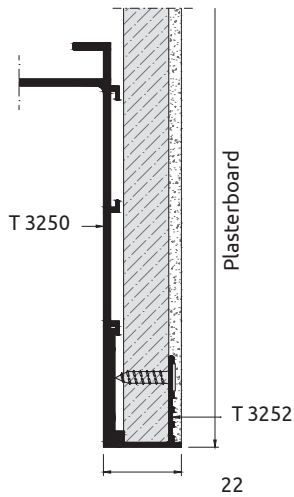
Item No.	Description	Dimensions (mm)
		Height
A 340	Axiom Universal corner clip	-
A 338	Axiom Universal spice plate	-
A 344	Axiom Universal hanging clip	-
A 3255	Hanger for Axiom Blind Box	25

Cross Sections

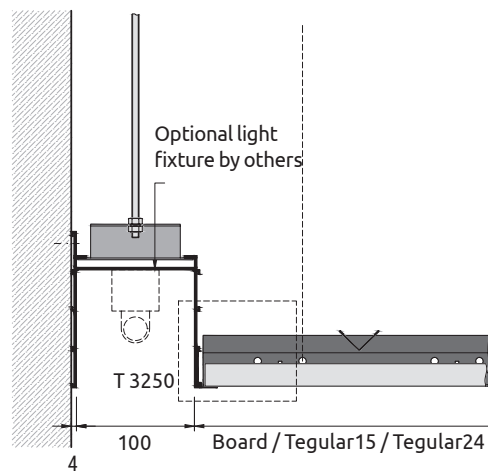
Cross Section  
Tegular15 / Tegular24



Cross Section  
Plasterboard Vertical



Axiom Blind Box  
to Wall



Sustainability



A+



EN 13964  
E1

Fire Reaction



Euroclass A2-s1, d0  
EN 13501-1

Performances  
& Features



30 Year  
System  
Guarantee



If you would like to order a sample or have any queries about this product please contact our Technical Sales Team on [0800 371 849](tel:0800371849) or email [info@zentia.com](mailto:info@zentia.com)

TDS 127.1.06.24