

Gridline Aluminium Perimeter Angles/Channels

Extruded aluminium sections for classic perimeter solutions with ceilings.

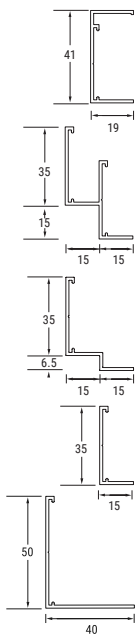
Key Features

- Angle and channel sections designed for compatibility with Gridline accessories for secure and easy installation
- Compatible with ceiling grid systems including Silhouette designer grids
- All ceilings – perimeters

Physical Data

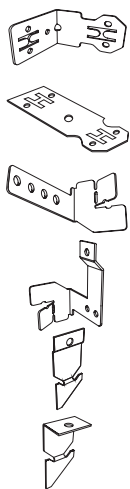
- Material: aluminium
- Surface finish: polyester powder paint
- Colour: Global White

Product Range



Item No.	Description	Dimensions (mm)		Standard Colours
		Length	Height	Global White
T 3249 A	Gridline Aluminium Perimeter C profile 41 x 19mm	3000	41	•
T 3227 A	Gridline Aluminium Perimeter Shadowline channel 35 x 15 x 15 x 15mm	3000	50	•
T 3248 A	Gridline Aluminium Perimeter Shadowline channel 35 x 15 x 6.5 x 15mm	3000	40	•
T 3235 A	Gridline Aluminium Perimeter angle 35 x 15mm	3000	35	•
T 3225 H	Gridline Aluminium Perimeter angle 50 x 40mm	3000	50	•

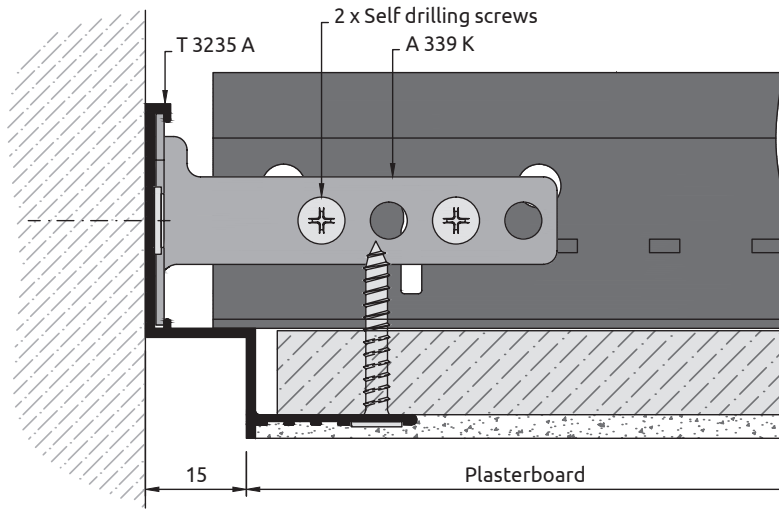
Accessories



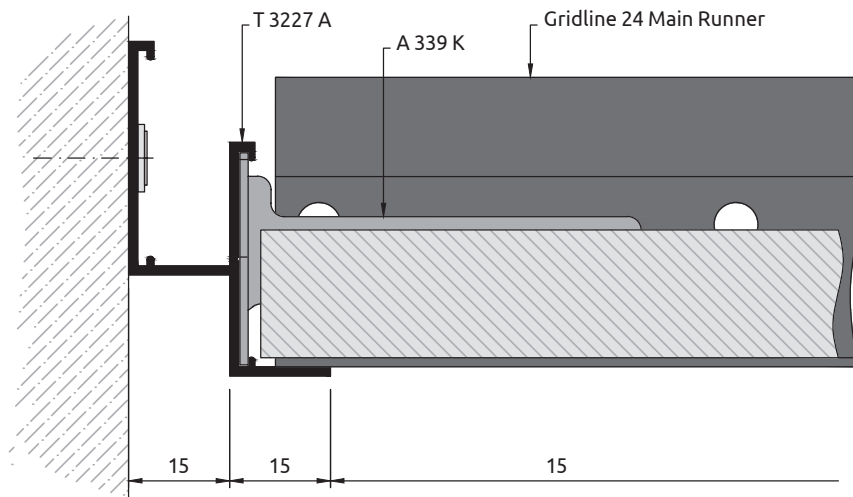
Item No.	Description	Dimensions (mm)
		Height
A 340 J	Gridline Aluminium Universal corner clip	-
A 338 J	Gridline Aluminium Universal splice plate	-
A 339 K	Gridline Aluminium Universal T bar connector clip	-
A 344 J	Gridline Aluminium Universal hanging clip	-
A 321 J	Gridline Aluminium Transitions suspension clip – straight	79
A 322 J	Gridline Aluminium Transitions suspension clip – angled	62

Cross Sections

Connector Clip



Board to Wall



Sustainability



A+



EN 13964
E1

Fire Reaction



EEA Euroclass A2-s1, d0
EN 13501-1

Performances & Features



30 Year
System
Guarantee

Custom Options



Dimensions



If you would like to order a sample or have any queries about this product please contact our Technical Sales Team on [0800 371 849](tel:0800371849) or email info@zentia.com

TDS 211.1.09.24