

Gridline Aluminium Transitions

Extruded aluminium sections to provide a seamless transition between plasterboard margins and suspended ceilings.

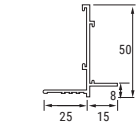
Key Features

- Designed for compatibility with different edge details using universal accessories for secure and easy installation
- Compatible with Zentia exposed ceiling grid systems including Silhouette designer grids
- Plasterboard jointing flange for seamless integration with plasterboard ceilings
- Application Areas: perimeters

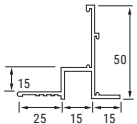
Physical Data

- Material: aluminium
- Surface finish: polyester powder painted
- Color: Global White

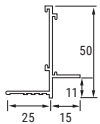
Product Range



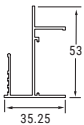
Item No.	Description	Dimensions (mm)		Standard Colours
		Length	Height	Global White
T 3208 H	Gridline Aluminium Transitions for Tegular24/Tegular15	3000	50	•



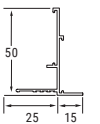
T 3215 H	Gridline Aluminium Transitions shadowline angle	3000	50	•
----------	---	------	----	---



T 3210 H	Gridline Aluminium Transitions for Integra tiles	3000	50	•
----------	--	------	----	---

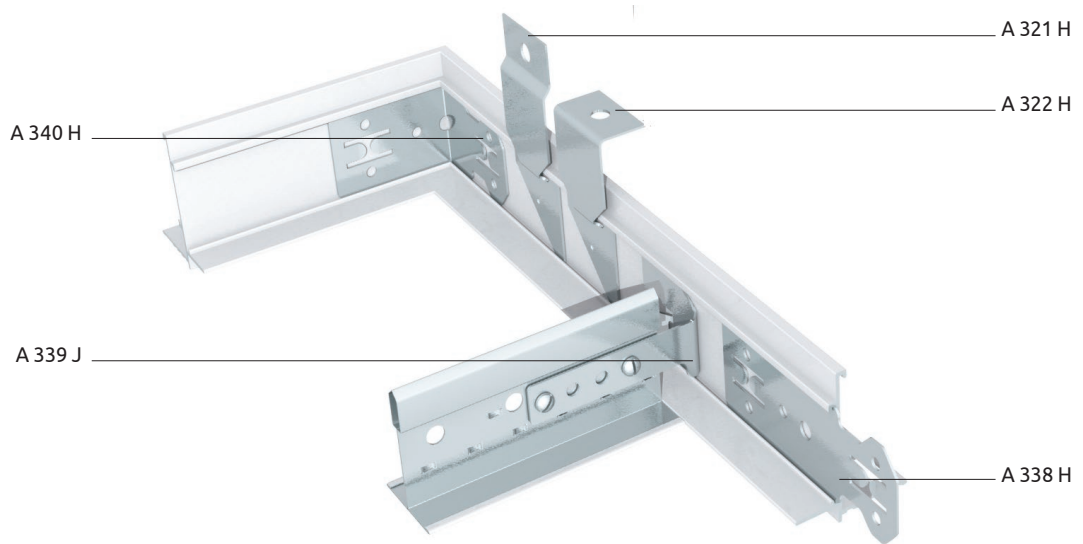


T 3230 A	Gridline Aluminium Transitions upstand channel 13mm board	3000	53	•
----------	---	------	----	---

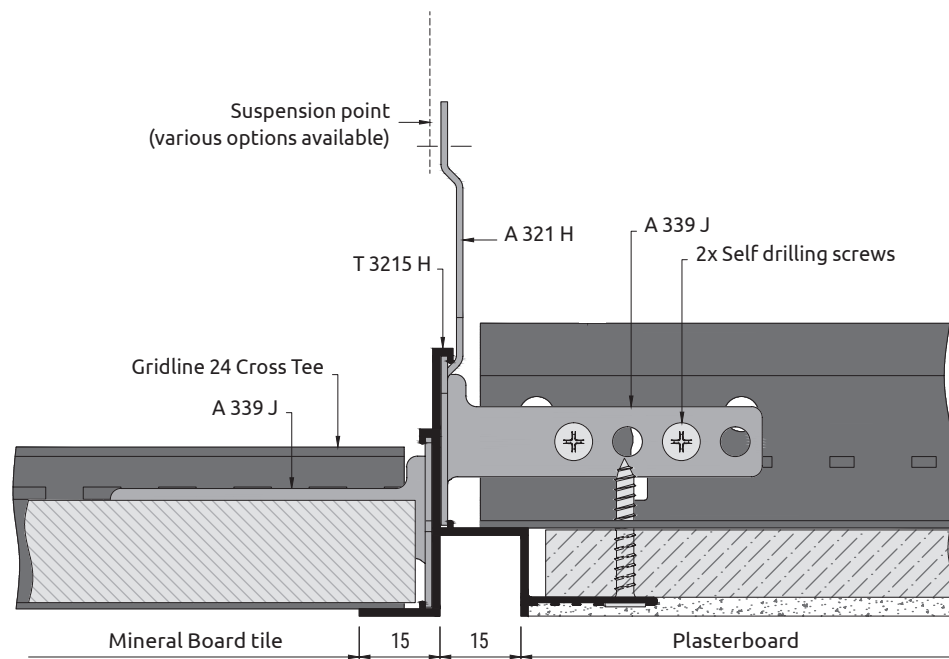


T 3271 A	Gridline Aluminium Transitions angle	3000	51	•
----------	--------------------------------------	------	----	---

System Drawing



Cross Section

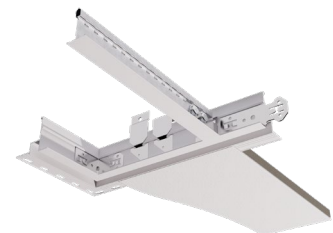
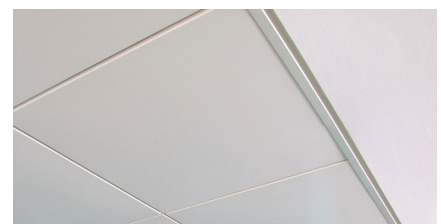


Fire Reaction



Euroclass A2-s1, d0
EN 13501-1

Other Performances & Features



If you would like to order a sample or have any queries about this product please contact our Technical Sales Team on **0800 371 849** or email info@zentia.com

TDS 213.1.08.24